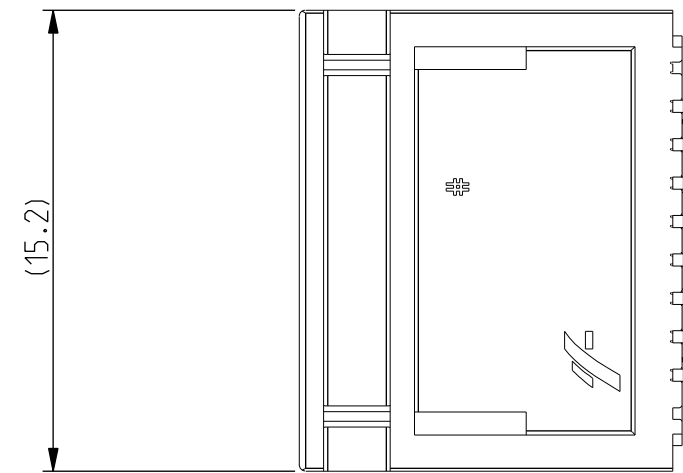
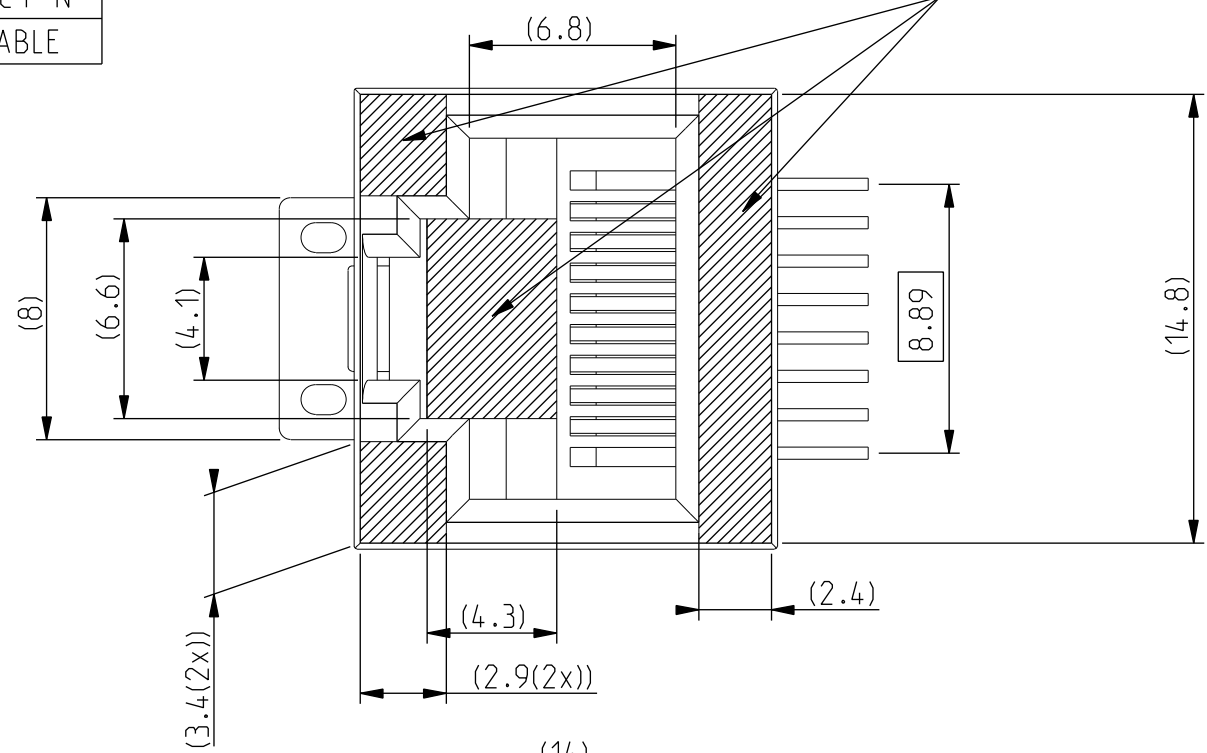
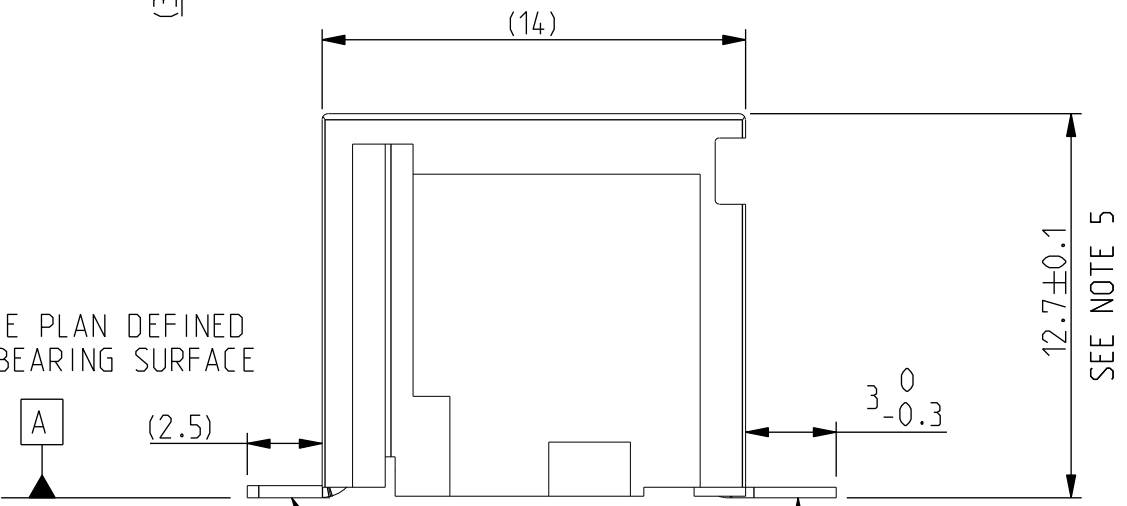


PRODUCT N°
SEE TABLE

SEE NOTE 3



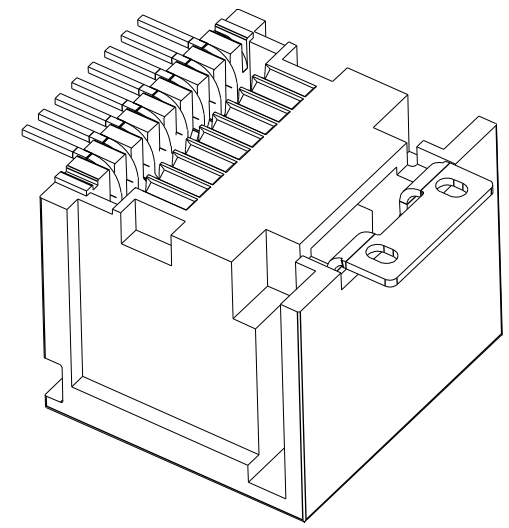
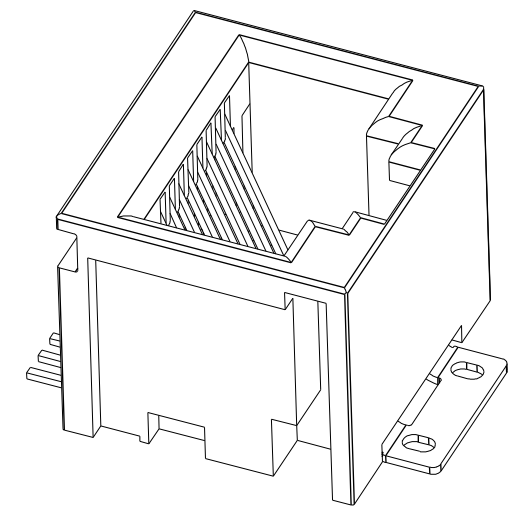
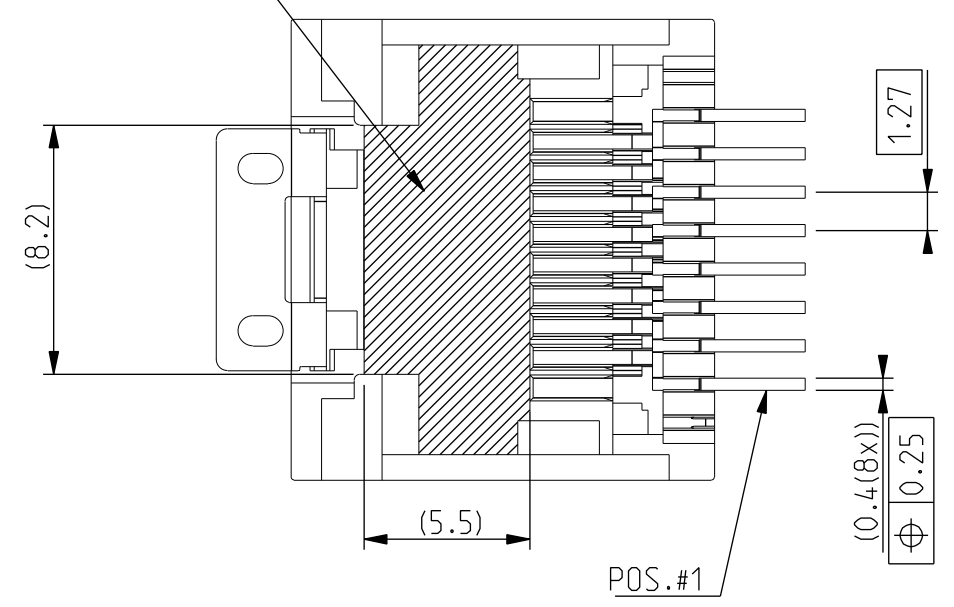
REFERENCE PLAN DEFINED BY THE BEARING SURFACE



SEE NOTE 5

SEE NOTE 6

SEE NOTE 3



Copyright FCI.

rev	ecn no	dr	date
L	F05-0247	DLE	05.09.30
M	F06-0242	DLE	06.07.20
N	F08-0127	LSA	08-02-15

www.fciconnect.com		surface ISO 1302	tolerance std ±0.13 ±2°	projection mm
TOLERANCES UNLESS OTHERWISE SPECIFIED				
Dr	D LEGRAND	02.09.16	ANGULAR	size A3
Eng	P NIZZI	02.09.16	LINEAR	Scale 4:1
Chr	D LEGRAND	02.09.16	0° ±y°	ECN F06-0242
Appr	P NIZZI	02.09.16	Product family MODULAR JACK	Spec ref -
FCI		title VERTICAL SMT		Rev. N
		8 POSITIONS		
catalog no		98435-XXX(LF)	Customer	sheet 1 of 2

PRODUCT N°
98435-XXXLF

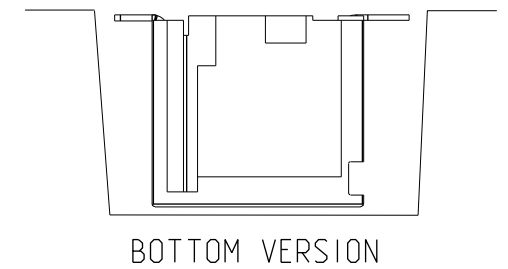
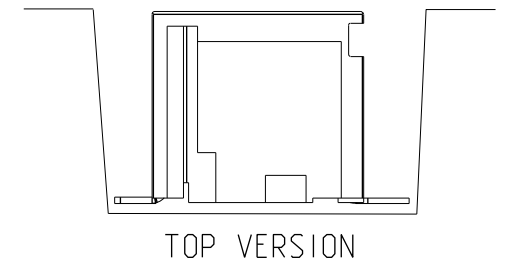
CONTACT PLATING OPTION
1= GXT 0.76 μm
3= 0.76 μm GOLD
5= 1.27 μm GOLD

PACKAGE OPTIONS	VERSION
TAPE AND REEL PACKAGE 1= LOADED FACE UP	TOP
TAPE AND REEL PACKAGE 2= LOADED FACE DOWN	BOTTOM

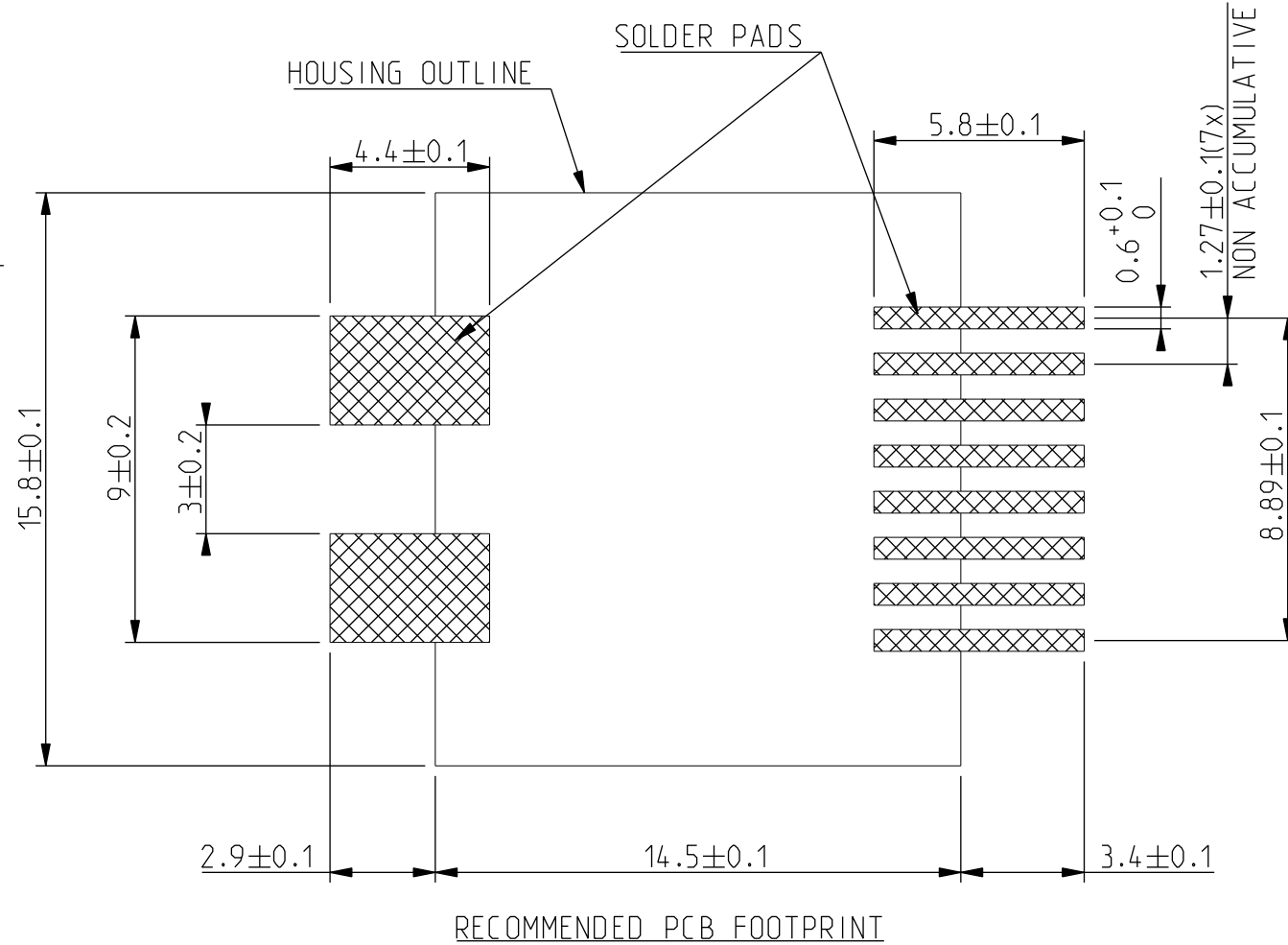
VERSION
TOP
BOTTOM

TERMINAL LOADING OPTIONS
1 = FULLY LOADED 8 POSITIONS
2 = ONLY POS 1,2,7,8 LOADED
3 = ONLY POS 3,4,5,6 LOADED

WHEN NEEDED, SUFFIX LETTER "LF" INDICATES THE PRODUCT IS RoHS COMPATIBLE SEE NOTE 7.



- NOTES:
- 1 - MATERIAL:
HOUSING: HIGH TEMP. PLASTIC, COLOR BLACK
TERMINAL PHOSPHOR BRONZE
 - 2 - PLATING
CONTACT AREA: OPTIONAL SEE TABLE
SOLDER TAIL: SnPb 90/10 2 μm MIN
NO RAW EDGES EXCEPT SOLDER TAILS TIPS
 - 3 - AREA FOR VACUUM PICK AND PLACE VENTURY
 - 4 - PACKAGING SPECIFICATION SEE TA 858
 - 5 - DIMENSION MEASURED FROM "A" TO THE TOP OF PRODUCT
 - 6 - COPLANARITY SEE TA 861.
 - 7 - RoHS COMPATIBLE PRODUCT SPECIFICATIONS
 - a - PLATING:
- "LF" MEANS THE PRODUCT IS LEAD-FREE,
2 μm MINIMUM MATTE TIN OVER 1.27 μm
MINIMUM NICKEL UNDERPLATE.
 - b - MANUFACTURING PROCESS COMPATIBILITY:
- THE HOUSING WILL WITHSTAND EXPOSURE TO
245 °C PEAK TEMPERATURE FOR 30 SECONDS
MAX IN A CONVECTION, INFRA-RED OR VAPOR
PHASE OR REFLOW OVEN.
 - c - LABELLING:
- MEETS PACKAGING SPECS AS PER GS-14-920.
 - d - LEGAL STATEMENT: SEE GS-22-008



www.fciconnect.com			surface - <input checked="" type="checkbox"/> ISO 1302	tolerance std ±0.13 ±2*	projection	mm
TOLERANCES UNLESS OTHERWISE SPECIFIED						
Dr	D LEGRAND	02.09.16	ANGULAR	0.X	±y	size A3
Eng	P NIZZI	02.09.16		LINEAR	0.XX	±y
Chr	D LEGRAND	02.09.16	0° ±y°	0.XXX	±y	ECN F06-0242
Appr	P NIZZI	02.09.16	Product family MODULAR JACK			Spec ref -
		title VERTICAL SMT 8 POSITIONS			dwg no 98435	Rev. N
catalog no		98435-XXX(LF)		CUSTOMER STATUS: Released		sheet 2 of 2 Printed: Feb 20, 2008